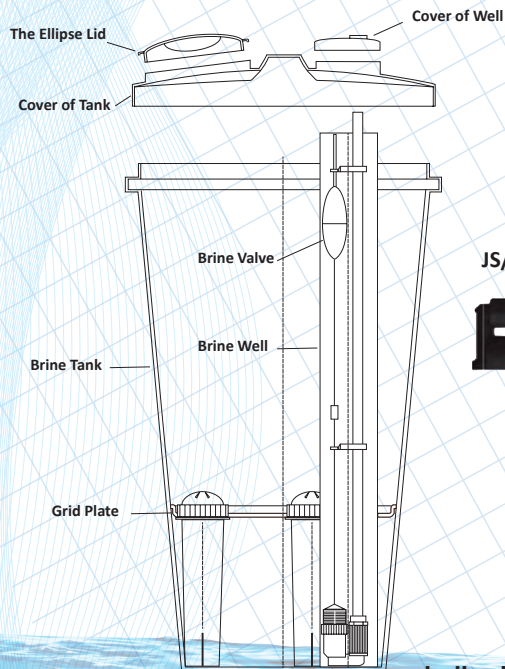


# Commercial / Industrial JS/Y Brine Tanks

Canature WaterGroup™ rotationally molded commercial and industrial brine tanks are available in 350L, 500L, 750L, 1000L, 1500L and 2000L (92 to 530 Gallons).

## Features

- Molded out of durable polyethylene
- Chemically resistant
- 0.25" plus seamless walls will not bulge
- Heavy-duty salt plate, brine well and cap
- Separate removable salt lid for easy addition of salt



A key feature of the design is the ability to maximize salt storage. The 5.3" diameter brine well extends through the lid of the tank allowing salt to be heaped past the top shoulders of the tank.

As an option you can easily add a JS/YF-454 (up to 5.0 gpm maximum) safety float & air check.

JS/YF-454 Safety Float & Air Check



In the U.S.A. 877-288-9888  
In Canada 877-288-9888  
[www.canaturewg-cied.com](http://www.canaturewg-cied.com)